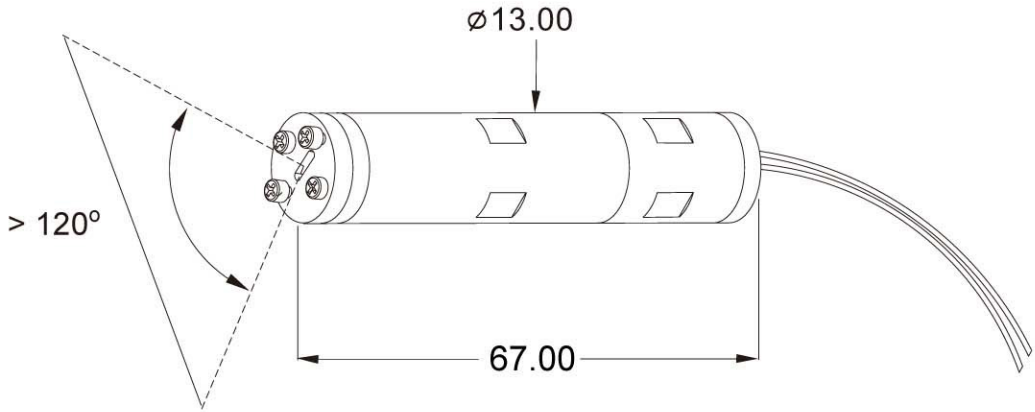


MODEL TYPE

VLM-532-46 LCA

OUTLINE DIMENSIONS (UNITS: mm)



1. Miniature highlight green laser line generator module for industrial applications.
2. Compact size for general applications.
3. The brass housing for better heat dispersion.
4. Multiple glass lenses included for high quality laser line.
5. High electric stability laser driver included.

SPECIFICATIONS	532-46LCA
Operating voltage (Vop)	2.7 ~ 3.3V
Operating current (Iop)	200 ~ 300 mA
Cw output power (Po)	Class IIIa, CW mode
Output power stability	< 10% @ 25°C after 10 minutes warm up
Wavelength (λ p)	532nm
Power source	Alkaline battery (Not included)
Housing	Brass
Emitting angle	> 120°
Width of laser line	< 3mm @ 5m, < 6mm @15m
Laser line accuracy	±40"
Half divergence angle	< 3 mrad
Mean time to failure (MTTF)	> 4000 hrs
Operating temp. range	+15°C ~ +35°C